

AM 580

Version:1.0_221013_EN



Artificial Mouth 580 is designed for accurate and repeatable electroacoustic measurements. It has extraordinary distortion performance, typical value is: after equalization to 94dB SPL, 25mm distance, the THD can be lower than 1%.

PM 0083 + AM 580, is a classical solution for quality control testing of frequency response and distortion of mobile phone, telephone transmitters and close-talking microphones.

Features

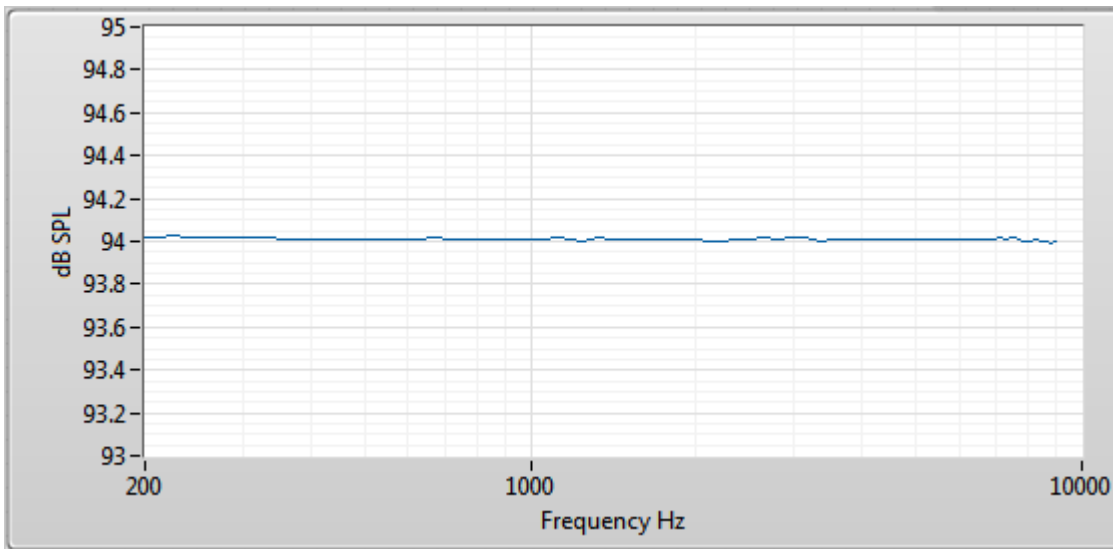
- Low distortion
- Low sensitivity to temperature and humidity changes

Specification

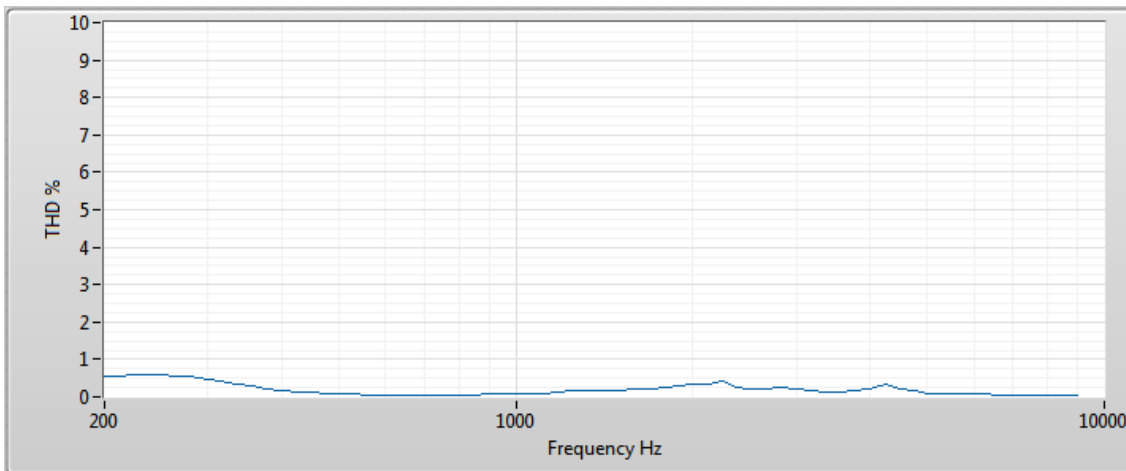
THD	200Hz – 10kHz : criteria 1% (94dB SPL, 25mmMRP)
Frequency Response	After equalization 94dB ± 0.1dB (100Hz - 10kHz)
Compensation value (EQ Range)	Anechoic box, smaller 20dB Anechoic room, smaller 15dB
Impedance	4 ohm
Continuous output power	10W
Sound ring diameter	Ø20mm
Lip ring	Out : Ø51mm
	Height : 25mm
Diameter	Ø102mm
Height	105mm
Weight	1160g
Interface	BNC

Curve

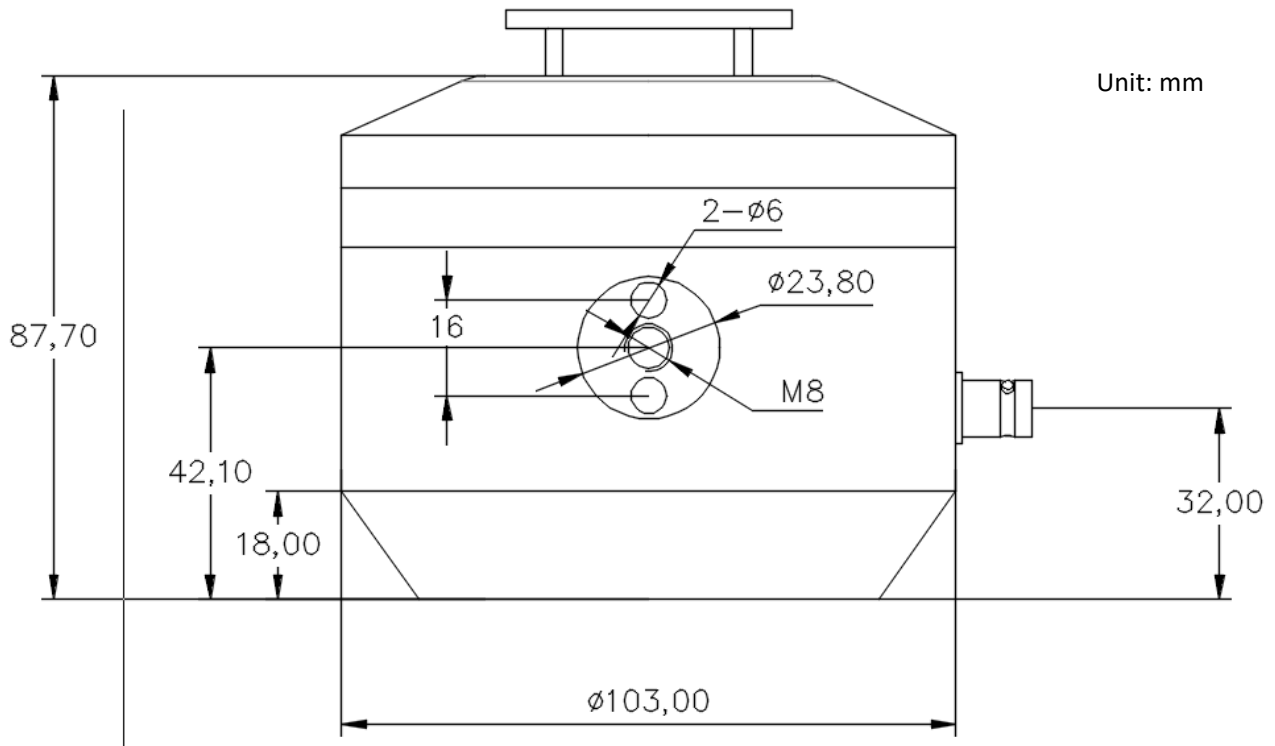
After EQ, 94dB SPL (20mm MRP)



After EQ, 94dB SPL THD (20mm MRP)



Dimension



www.szbcelectronics.com

Shenzhen BaiChuan Electronics Co., Ltd.

Sally Chen :86 13302916851

WeChat:113511152

sallychen@szbcelectronics.com | www.szbcelectronics.com

Address: Xianglong Building, Heping Road, Longhua District, Shenzhen, China